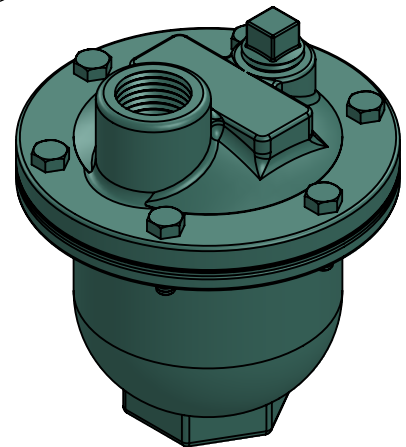
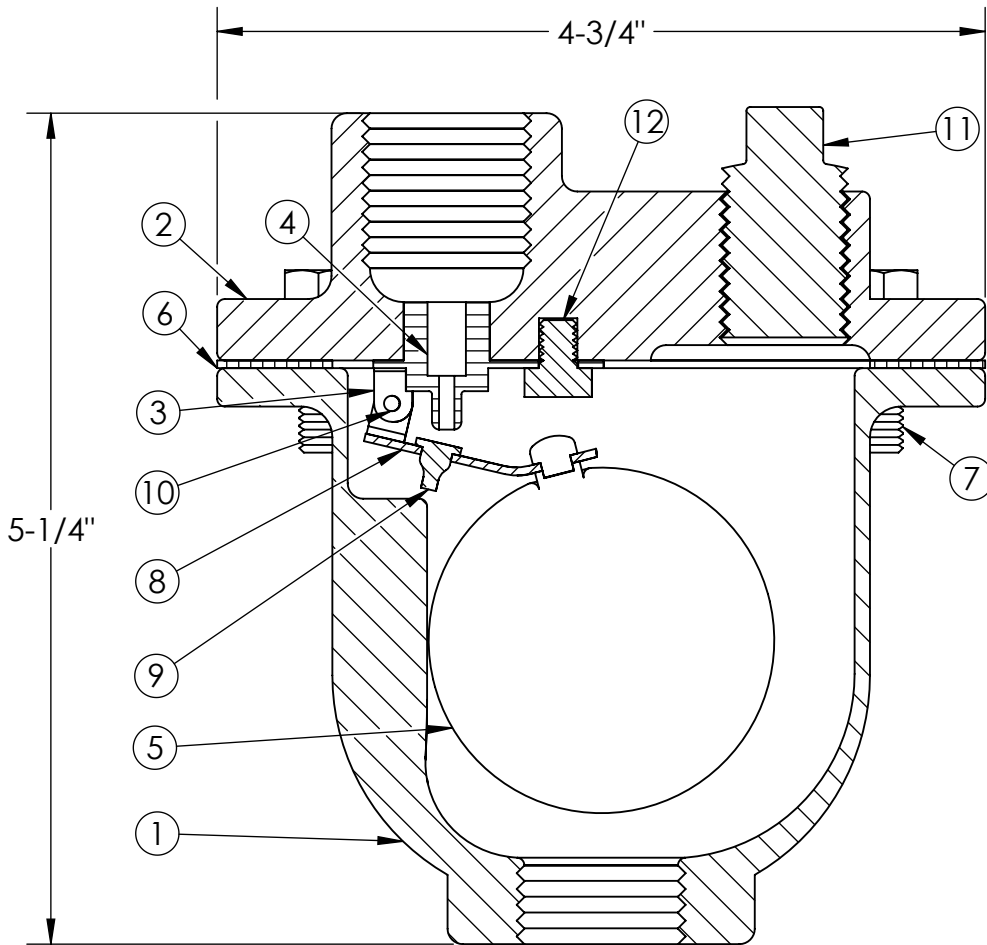


**MODEL MV-15  
METRAVENT AUTOMATIC  
AIR VENT**



PART	PART NAME	MATERIAL	PART	PART NAME	MATERIAL
1	BODY	CAST IRON A126	7	COVER BOLT	CARBON STEEL
2	COVER	CAST IRON A126	8	FLOAT ARM	STAINLESS STEEL
3	LEVER FRAME	STAINLESS STEEL	9	ORIFICE BUTTON	FLUOROELASTOMER
4	SEAT	STAINLESS STEEL	10	PIVOT PIN/RETAINER	STAINLESS STEEL
5	FLOAT	STAINLESS STEEL	11	PIPE PLUG (0.5")	STAINLESS STEEL
6	GASKET	NON ASBESTOS	12	LOCATOR	STAINLESS STEEL

QTY	SIZE	PART NUMBER	MAX TEMP	INLET SIZE	OUTLET SIZE	ORIFICE SIZE	WT (LBS)
	1/2" (15mm)	MV150050	250 °F	1/2" NPT	1/2" NPT	1/16"	5-1/2
	3/4" (20mm)	MV150075	250 °F	3/4" NPT	1/2" NPT	1/16"	5-1/2
	1" (25mm)	MV150100	250 °F	1" NPT	1/2" NPT	1/16"	5-1/2

**NSF 372 - LEAD FREE**

The wetted surface of this product contacted by consumable water contains less than one quarter of one percent (0.25%) of lead by weight. Material complies with state codes and standards, where applicable, requiring reduced lead content.

CUSTOMER: \_\_\_\_\_

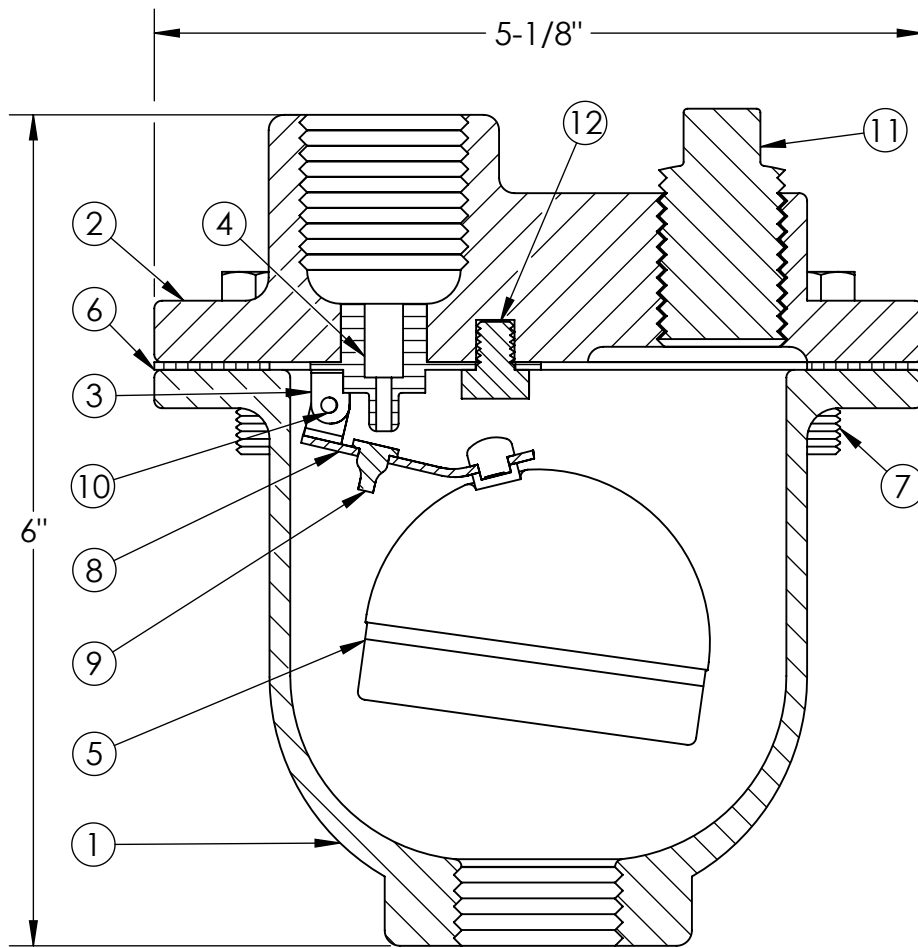
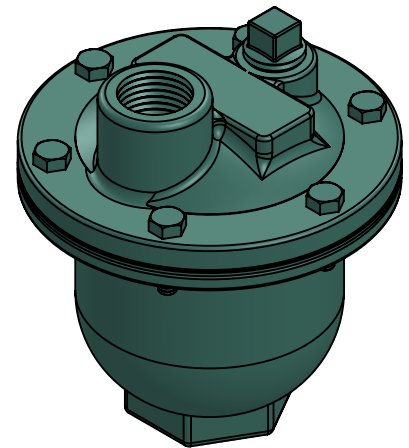
PROJECT: \_\_\_\_\_

ENGINEER: \_\_\_\_\_

REV.	DATE
2323 W. HUBBARD ST. CHICAGO, IL 60612 TEL: 312-738-3800 FAX: 312-738-0415 WWW.METRAFLEX.COM	
<b>MODEL MV-15</b> METRAVENT AUTOMATIC AIR VENT	
DRAWN BY: <b>DKISH</b>	DATE: <b>9/3/2015</b>
APPROVED: <b>ZB</b>	DATE: <b>9/4/2015</b>
SCALE: <b>N/A</b>	DRAWING NUMBER: <b>MV-15</b>

**MODEL MV-30  
METRAVENT AUTOMATIC  
AIR VENT**

MAX WORKING PRESSURE  
300 PSI @ 150 °F  
260 PSI @ 250 °F



PART	PART NAME	MATERIAL	PART	PART NAME	MATERIAL
1	BODY	CAST IRON A126	7	COVER BOLT	CARBON STEEL
2	COVER	CAST IRON A126	8	FLOAT ARM	STAINLESS STEEL
3	LEVER FRAME	STAINLESS STEEL	9	ORIFICE BUTTON	FLUROELASTOMER
4	SEAT	STAINLESS STEEL	10	PIVOT PIN/RETAINER	STAINLESS STEEL
5	FLOAT	STAINLESS STEEL	11	PIPE PLUG (0.5")	STAINLESS STEEL
6	GASKET	NON ASBESTOS	12	LOCATOR	STAINLESS STEEL

QTY	SIZE	PART NUMBER	MAX TEMP	INLET SIZE	OUTLET SIZE	ORIFICE SIZE	WT (LBS)
	1/2" (15mm)	MV300050	250 °F	1/2" NPT	1/2" NPT	1/16"	8
	3/4" (20mm)	MV300075	250 °F	3/4" NPT	1/2" NPT	1/16"	8
	1" (25mm)	MV300100	250 °F	1" NPT	1/2" NPT	1/16"	8

**NSF 372 - LEAD FREE**

The wetted surface of this product contacted by consumable water contains less than one quarter of one percent (0.25%) of lead by weight. Material complies with state codes and standards, where applicable, requiring reduced lead content.

CUSTOMER: \_\_\_\_\_

PROJECT: \_\_\_\_\_

ENGINEER: \_\_\_\_\_

REV.	DATE
2323 W. HUBBARD ST. CHICAGO, IL 60612 TEL: 312-738-3800 FAX: 312-738-0415 WWW.METRAFLEX.COM	
<b>MODEL MV-30</b> METRAVENT AUTOMATIC AIR VENT	
DRAWN BY: <b>DKISH</b>	DATE: <b>9/4/2015</b>
APPROVED: <b>ZB</b>	DATE: <b>9/4/2015</b>
SCALE: <b>N/A</b>	DRAWING NUMBER: <b>MV-30</b>