

MAX NON-SHOCK  
WORKING PSI

TEMPERATURE	PSI
150°F	200
200°F	190

## LEAD FREE

The wetted surface of this product contacted by consumable water contains less than one quarter of one percent (0.25%) of lead by weight. Material complies with state codes and standards, where applicable, requiring reduced lead content.

ITEM	PART NAME	MATERIAL	ASTM NO.
1	BODY	CAST IRON	A126 CL. B
2	SEAT	STAINLESS	T304
3	PLUG	STAINLESS	T304
4	SPRING	STAINLESS	T304
5	BUSHING	STAINLESS	T304
6	SCREW	STAINLESS	T304

### Notes:

Valve is designed for liquid service only. Install 5 to 10 pipe diameters downstream from pump discharge or elbows to avoid flow turbulence. The intake side of CVO 900 series check valves must be mated to a ANSI B16.5 flat faced steel flange. The discharge side can be mated to a ANSI B16.5 flat face steel flange or a wafer style butterfly valve without the use of spools or adapters.



FOR ADDITIONAL FLOW STRAIGHTENING  
SEE THE VANE FLEX AT  
[www.metraflex.com/vaneflex](http://www.metraflex.com/vaneflex)

Valve complies with MSS-SP-125-2010.

2-1/2" valve trim is threaded into body.

Qty.	Part Number	Size I.D. (in)	A (in)	B (in)	C (in)	D (in)	E (in)	Cv*	Weight (Lbs)	Bolt Size (in)	Number Of Bolts
	CVOSS9025	2-1/2	7	5-1/2	5-1/2	11/16	1-3/16	110	20	5/8	4
	CVOSS903	3	7-1/2	6	6	15/16	1-3/8	155	26	5/8	4
	CVOSS904	4	9	7-1/4	7-1/4	15/16	1-3/4	278	44	5/8	8
	CVOSS905	5	10	8-1/2	8-1/2	15/16	2	435	56	3/4	8
	CVOSS906	6	11	9-3/4	9-1/2	1	2-1/2	625	79	3/4	8
	CVOSS908	8	13-1/2	12-1/2	11-3/4	1-1/8	3-1/4	1115	137	3/4	8
	CVOSS910	10	16	15-1/2	14-1/4	1-3/16	4-1/4	1770	223	7/8	12

\*Cv is the number of U.S. gallons/minute of 60°F water that will flow through a valve with 1 PSI of pressure drop across the valve.

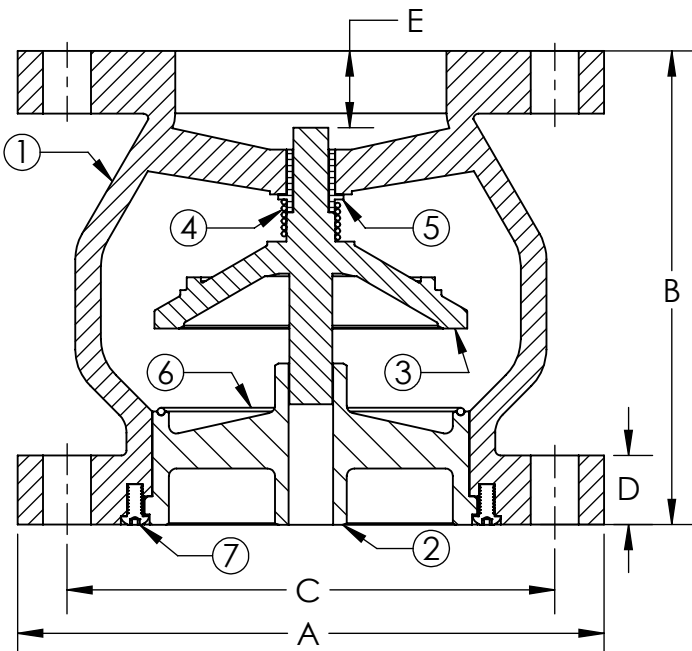
PROJECT INFO

CUSTOMER: \_\_\_\_\_

PROJECT: \_\_\_\_\_

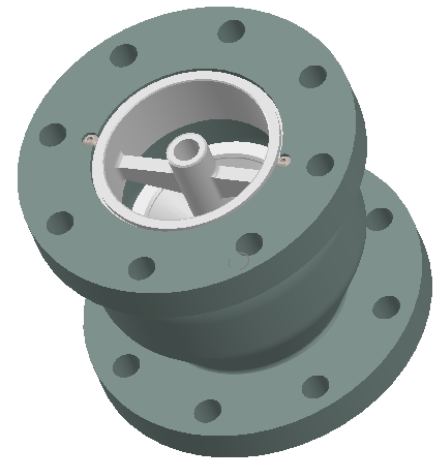
ENGINEER: \_\_\_\_\_

REV.	1	DRAWING REVISED	DATE 10/14/2013
		2323 W. HUBBARD ST. CHICAGO, IL 60612 TEL: 312-738-3800 FAX: 312-738-0415 WWW.METRAFLEX.COM	
<b>MODEL CVO900-125-10-SS</b> 2.5" - 10" 125# GLOBE STYLE SILENT CHECK VALVE W/ SS TRIM			
DRAWN BY: <b>DKISH</b>		DATE: <b>8/27/2013</b>	
APPROVED: <b>JC</b>		DATE: <b>8/27/2013</b>	
SCALE: <b>NONE</b>	DRAWING NUMBER: <b>CVO900-125-10-SS</b>		



MAX NON-SHOCK  
WORKING PSI

TEMPERATURE	PSI
150 °F	200
200 °F	190



## LEAD FREE

The wetted surface of this product contacted by consumable water contains less than one quarter of one percent (0.25%) of lead by weight. Material complies with state codes and standards, where applicable, requiring reduced lead content.

ITEM	PART NAME	MATERIAL	ASTM NO.
1	BODY	CAST IRON	A126 CL. B
2	SEAT	DUCTILE IRON	A536, Ni COAT
3	PLUG	DUCTILE IRON	A536, Ni COAT
4	SPRING	STAINLESS	T304
5	BUSHING	STAINLESS	T304
6	O-RING	EPDM	D2000
7	SCREW	STAINLESS	T304

### Notes:

Valve is designed for liquid service only. Install 5 to 10 pipe diameters downstream from pump discharge or elbows to avoid flow turbulence. The intake side of CVO 900 series check valves must be mated to an ANSI B16.5 flat faced steel flange. The discharge side can be mated to an ANSI B16.5 flat faced steel flange, or for sizes 2-1/2" through 10", a wafer style butterfly valve without the use of spools or adaptors.



FOR ADDITIONAL FLOW STRAIGHTENING  
SEE THE VANE FLEX AT  
[www.metroflex.com/vaneflex](http://www.metroflex.com/vaneflex)

Valve complies with MSS-SP-125-2010.

2-1/2" valve trim is threaded into body.

Qty.	Part Number	Size I.D. (in)	A (in)	B (in)	C (in)	D (in)	E (in)	Cv*	Weight (Lbs)	Bolt Size (in)	Number Of Bolts
	CVODINC9025	2-1/2	7	5-1/2	5-1/2	11/16	1-3/16	110	20	5/8	4
	CVODINC903	3	7-1/2	6	6	15/16	1-3/8	155	26	5/8	4
	CVODINC904	4	9	7-1/4	7-1/4	15/16	1-3/4	278	44	5/8	8
	CVODINC905	5	10	8-1/2	8-1/2	15/16	2	435	56	3/4	8
	CVODINC906	6	11	9-3/4	9-1/2	1	2-1/2	625	79	3/4	8
	CVODINC908	8	13-1/2	12-1/2	11-3/4	1-1/8	3-1/4	1115	137	3/4	8
	CVODINC910	10	16	15-1/2	14-1/4	1-3/16	4-1/4	1770	223	7/8	12
	CVODINC912	12	19	14-1/4	17	1-1/4	**	2500	298	7/8	12

\*Cv is the number of U.S. gallons/minute of 60°F water that will flow through a valve with 1 PSI of pressure drop across the valve.

\*\*Plug stem protrudes 3/4" past end of valve in the full-open position.

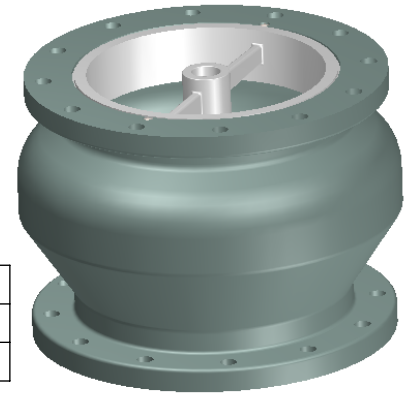
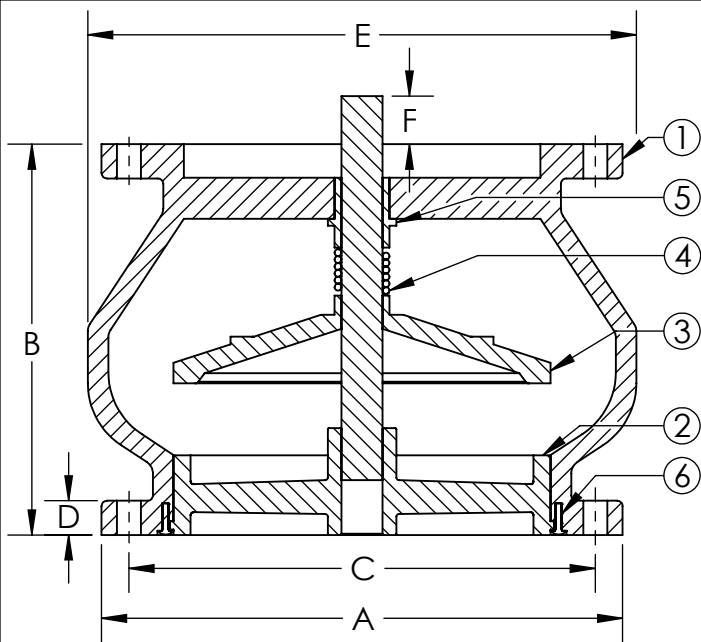
PROJECT INFO	

CUSTOMER: \_\_\_\_\_

PROJECT: \_\_\_\_\_

ENGINEER: \_\_\_\_\_

REV.	1	DRAWING REVISED	DATE 10/14/2013
		2323 W. HUBBARD ST. CHICAGO, IL 60612 TEL: 312-738-3800 FAX: 312-738-0415 WWW.METRAFLEX.COM	
<b>MODEL CVO900-125-12-DINC</b> 2.5" - 12" 125# GLOBE STYLE SILENT CHECK VALVE W/ NICKEL COATED DUCTILE IRON TRIM			
DRAWN BY: <b>DKISH</b>		DATE: <b>8/27/2013</b>	
APPROVED: <b>JC</b>		DATE: <b>8/27/2013</b>	
SCALE: <b>NONE</b>	DRAWING NUMBER: <b>CVO900-125-12-DINC</b>		



MAX NON-SHOCK  
WORKING PSI

TEMPERATURE	PSI*
150 °F	150
200 °F	135

\*Sizes 14" and Up  
12" - 200/190PSI

## LEAD FREE

The wetted surface of this product contacted by consumable water contains less than one quarter of one percent (0.25%) of lead by weight. Material complies with state codes and standards, where applicable, requiring reduced lead content.

### Notes:

Valve is designed for liquid service only. Install 5 to 10 pipe diameters downstream from pump discharge or elbows to avoid flow turbulence. The intake and discharge sides of 12" through 42" CVO 900 series check valves must be mated to a ANSI B16.5 flat faced steel flange. The discharge side also must allow an interference clearance for the center shaft shown as dimension "F".

Valve complies with MSS-SP-125-2010.

ITEM	PART NAME	MATERIAL	ASTM NO.
1	BODY	CAST IRON	A126 CL. B
2	SEAT	STAINLESS	T304
3	PLUG	STAINLESS	T304
4	SPRING	STAINLESS	T304
5	BUSHING	STAINLESS	T304
6	SCREW	STAINLESS	T304



FOR ADDITIONAL FLOW STRAIGHTENING  
SEE THE VANE FLEX AT  
[www.metroflex.com/vaneflex](http://www.metroflex.com/vaneflex)

Qty.	Part Number	Size I.D. (in)	A (in)	B (in)	C (in)	D (in)	E (in)	F (in)	Cv*	Weight (Lbs)	Bolt Size (in)	Number Of Bolts
	CVOSS912	12	19	14-1/4	17	1-1/4	20	3/4	2500	298	7/8	12
	CVOSS914	14	21	15-3/4	18-3/4	1-3/8	22	1-7/16	3400	375	1	12
	CVOSS916	16	23-1/2	17-5/8	21-1/4	1-7/16	25	2-1/4	4400	485	1	16
	CVOSS918	18	25	18-3/4	22-3/4	1-9/16	28	2-1/4	5600	585	1-1/8	16
	CVOSS920	20	27-1/2	20-5/8	25	1-11/16	31	2-15/16	6900	890	1-1/8	20
	CVOSS924	24	32	24	29-1/2	1-7/8	37	3-5/8	10000	1220	1-1/4	20
	CVOSS930	30	38-3/4	29-1/4	36	2-1/8	45	5	15400	2000	1-1/4	28
	CVOSS936	36	46	45	42-3/4	2-3/8	54	8	22400	4421	1-1/2	32
	CVOSS942	42	53	50	49-1/2	2-5/8	64	9-1/4	30400	N/A	1-1/2	36

\*Cv is the number of U.S. gallons/minute of 60°F water that will flow through a valve with 1 PSI of pressure drop across the valve.

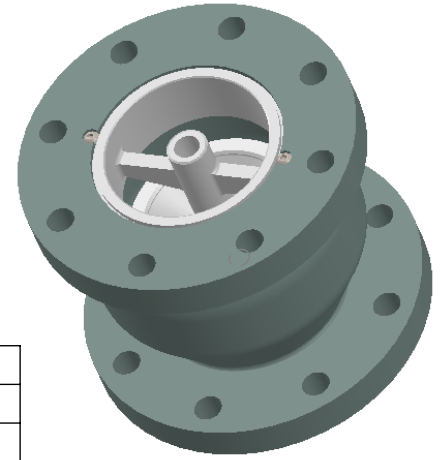
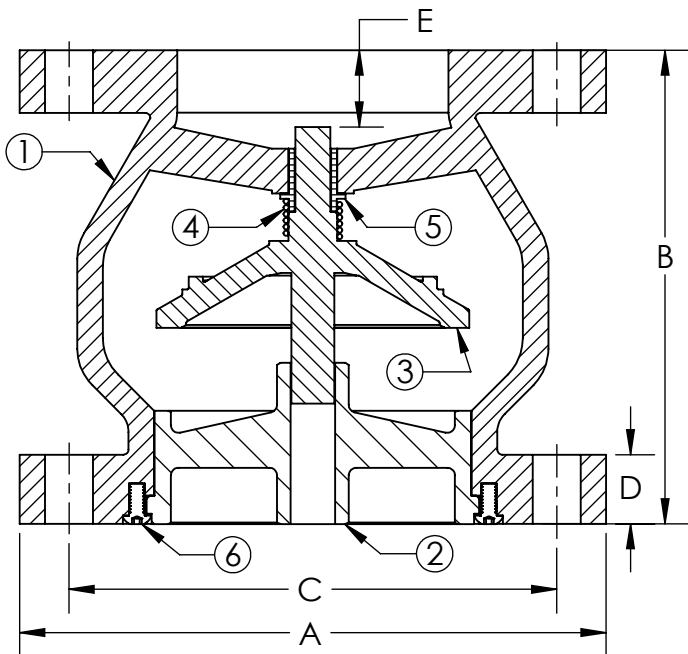
PROJECT INFO

CUSTOMER: \_\_\_\_\_

PROJECT: \_\_\_\_\_

ENGINEER: \_\_\_\_\_

REV.	DATE
2323 W. HUBBARD ST. CHICAGO, IL 60612 TEL: 312-738-3800 FAX: 312-738-0415 WWW.METRAFLEX.COM	
<h2>MODEL CVO900-125-42-SS</h2>	
12" - 42" 125# GLOBE STYLE SILENT CHECK VALVE W/ SS TRIM	
DRAWN BY: <b>DKISH</b>	DATE: <b>8/27/2013</b>
APPROVED: <b>JC</b>	DATE: <b>8/27/2013</b>
SCALE: <b>NONE</b>	DRAWING NUMBER: <b>CVO900-125-42-SS</b>



MAX NON-SHOCK  
WORKING PSI

TEMPERATURE	PSI
150°F	400
200°F	370

## LEAD FREE

The wetted surface of this product contacted by consumable water contains less than one quarter of one percent (0.25%) of lead by weight. Material complies with state codes and standards, where applicable, requiring reduced lead content.

### Notes:

Valve is designed for liquid service only. Install 5 to 10 pipe diameters downstream from pump discharge or elbows to avoid flow turbulence. The intake side of CVO 900 series check valves must be mated to a ANSI B16.5 flat faced steel flange. The discharge side can be mated to a ANSI B16.5 flat face steel flange or a wafer style butterfly valve without the use of spools or adapters.

Valve complies with MSS-SP-125-2010.

2-1/2" valve trim is threaded into body.

ITEM	PART NAME	MATERIAL	ASTM NO.
1	BODY	CAST IRON	A126 CL. B
2	SEAT	STAINLESS	T304
3	PLUG	STAINLESS	T304
4	SPRING	STAINLESS	T304
5	BUSHING	STAINLESS	T304
6	SCREW	STAINLESS	T304



FOR ADDITIONAL FLOW STRAIGHTENING  
SEE THE VANE FLEX AT  
[www.metroflex.com/vaneflex](http://www.metroflex.com/vaneflex)

Qty.	Part Number	Size I.D. (in)	A (in)	B (in)	C (in)	D (in)	E (in)	Cv*	Weight (Lbs)	Bolt Size (in)	Number Of Bolts
	CVOSS9525	2-1/2	7-1/2	5-1/2	5-7/8	1	1-7/16	110	25	3/4	8
	CVOSS953	3	8-1/4	6	6-5/8	1-1/8	1-3/8	155	34	3/4	8
	CVOSS954	4	10	7-1/4	7-7/8	1-1/4	1-3/4	278	59	3/4	8
	CVOSS955	5	11	8-1/2	9-1/4	1-3/8	2	435	74	3/4	8
	CVOSS956	6	12-1/2	9-3/4	10-5/8	1-7/16	2-1/2	625	100	3/4	12
	CVOSS958	8	15	12-1/2	13	1-5/8	3-1/4	1115	177	7/8	12
	CVOSS960	10	17-1/2	15-1/2	15-1/4	1-7/8	4-1/4	1770	255	1	16

\*Cv is the number of U.S. gallons/minute of 60°F water that will flow through a valve with 1 PSI of pressure drop across the valve.

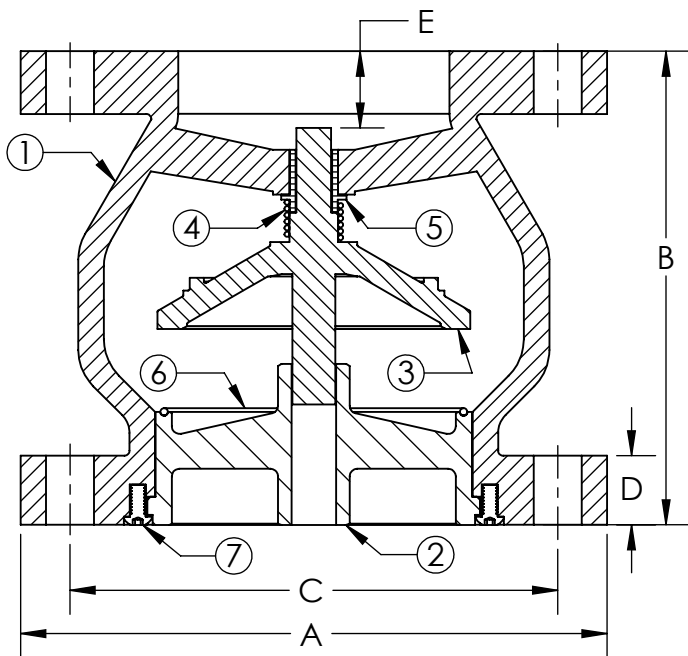
PROJECT INFO

CUSTOMER: \_\_\_\_\_

PROJECT: \_\_\_\_\_

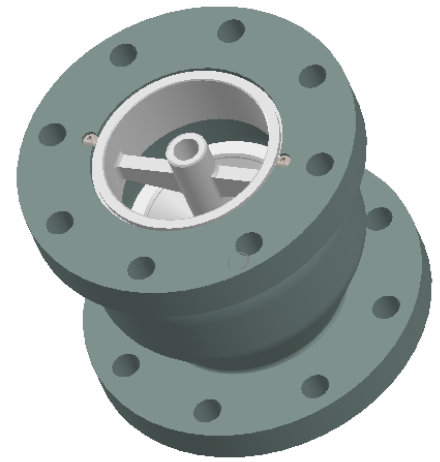
ENGINEER: \_\_\_\_\_

REV.	1	DRAWING REVISED	DATE 10/14/2013
		2323 W. HUBBARD ST. CHICAGO, IL 60612 TEL: 312-738-3800 FAX: 312-738-0415 WWW.METRAFLEX.COM	
<h3>MODEL CVO900-250-10-SS</h3>			
2.5" - 10" 250# GLOBE STYLE SILENT CHECK VALVE W/ SS TRIM			
DRAWN BY: <b>DKISH</b>		DATE: <b>8/27/2013</b>	
APPROVED: <b>JC</b>		DATE: <b>8/27/2013</b>	
SCALE: <b>NONE</b>	DRAWING NUMBER: <b>CVO900-250-10-SS</b>		



MAX NON-SHOCK  
WORKING PSI

TEMPERATURE	PSI
150 °F	400
200 °F	370



## LEAD FREE

The wetted surface of this product contacted by consumable water contains less than one quarter of one percent (0.25%) of lead by weight. Material complies with state codes and standards, where applicable, requiring reduced lead content.

ITEM	PART NAME	MATERIAL	ASTM NO.
1	BODY	CAST IRON	A126 CL. B
2	SEAT	DUCTILE IRON	A536, Ni COAT
3	PLUG	DUCTILE IRON	A536, Ni COAT
4	SPRING	STAINLESS	T304
5	BUSHING	STAINLESS	T304
6	O-RING	EPDM	D2000
7	SCREW	STAINLESS	T304

### Notes:

Valve is designed for liquid service only. Install 5 to 10 pipe diameters downstream from pump discharge or elbows to avoid flow turbulence. The intake side of CVO 900 series check valves must be mated to a ANSI B16.5 flat faced steel flange. The discharge side can be mated to a ANSI B16.5 flat faced steel flange, or for sizes 2-1/2" through 10", a wafer style butterfly valve without the use of spools or adaptors.



FOR ADDITIONAL FLOW STRAIGHTENING  
SEE THE VANE FLEX AT  
[www.metroflex.com/vaneflex](http://www.metroflex.com/vaneflex)

Valve complies with MSS-SP-125-2010.

2-1/2" valve trim is threaded into body.

Qty.	Part Number	Size I.D. (in)	A (in)	B (in)	C (in)	D (in)	E (in)	Cv*	Weight (Lbs)	Bolt Size (in)	Number Of Bolts
	CVODINC9525	2-1/2	7-1/2	5-1/2	5-7/8	1	1-7/16	110	25	3/4	8
	CVODINC953	3	8-1/4	6	6-5/8	1-1/8	1-3/8	155	34	3/4	8
	CVODINC954	4	10	7-1/4	7-7/8	1-1/4	1-3/4	278	59	3/4	8
	CVODINC955	5	11	8-1/2	9-1/4	1-3/8	2	435	74	3/4	8
	CVODINC956	6	12-1/2	9-3/4	10-5/8	1-7/16	2-1/2	625	100	3/4	12
	CVODINC958	8	15	12-1/2	13	1-5/8	3-1/4	1115	177	7/8	12
	CVODINC960	10	17-1/2	15-1/2	15-1/4	1-7/8	4-1/4	1770	255	1	16
	CVODINC962	12	20-1/2	14-1/4	17-3/4	2	**	2500	375	1-1/8	16

\*Cv is the number of U.S. gallons/minute of 60°F water that will flow through a valve with 1 PSI of pressure drop across the valve.

\*\*Plug stem protrudes 3/4" past end of valve in the full-open position.

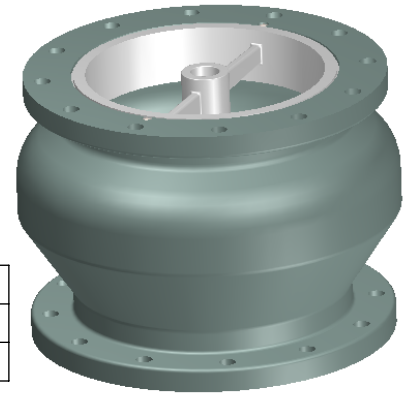
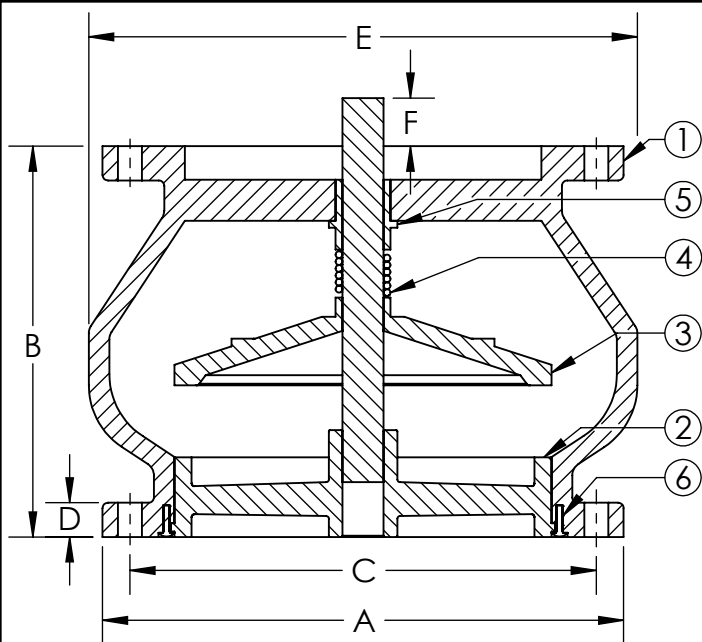
PROJECT INFO	

REV.	1	DRAWING REVISED	DATE 10/14/2013
		2323 W. HUBBARD ST. CHICAGO, IL 60612 TEL: 312-738-3800 FAX: 312-738-0415 WWW.METRAFLEX.COM	
<b>MODEL CVO900-250-12-DINC</b> 2.5" - 12" 250# GLOBE STYLE SILENT CHECK VALVE W/ NICKEL COATED DUCTILE IRON TRIM			
DRAWN BY: <b>DKISH</b>		DATE: <b>8/27/2013</b>	
APPROVED: <b>JC</b>		DATE: <b>8/27/2013</b>	
SCALE: <b>NONE</b>	DRAWING NUMBER: <b>CVO900-250-12-DINC</b>		

CUSTOMER: \_\_\_\_\_

PROJECT: \_\_\_\_\_

ENGINEER: \_\_\_\_\_



MAX NON-SHOCK  
WORKING PSI

TEMPERATURE	PSI*
150 °F	300
200 °F	280

\*Sizes 14" and Up  
12" - 400/370PSI

## LEAD FREE

The wetted surface of this product contacted by consumable water contains less than one quarter of one percent (0.25%) of lead by weight. Material complies with state codes and standards, where applicable, requiring reduced lead content.

### Notes:

Valve is designed for liquid service only. Install 5 to 10 pipe diameters downstream from pump discharge or elbows to avoid flow turbulence. The intake and discharge sides of 12" through 42" CVO 900 series check valves must be mated to a ANSI B16.5 flat faced steel flange. The discharge side also must allow an interference clearance for the center shaft shown as dimension "F".

Valve complies with MSS-SP-125-2010.

ITEM	PART NAME	MATERIAL	ASTM NO.
1	BODY	CAST IRON	A126 CL. B
2	SEAT	STAINLESS	T304
3	PLUG	STAINLESS	T304
4	SPRING	STAINLESS	T304
5	BUSHING	STAINLESS	T304
6	SCREW	STAINLESS	T304



FOR ADDITIONAL FLOW STRAIGHTENING  
SEE THE VANE FLEX AT  
[www.metroflex.com/vaneflex](http://www.metroflex.com/vaneflex)

Qty.	Part Number	Size I.D. (in)	A (in)	B (in)	C (in)	D (in)	E (in)	F (in)	Cv*	Weight (Lbs)	Bolt Size (in)	Number Of Bolts
	CVOSS962	12	20-1/2	14-1/4	17-3/4	2	20	3/4	2500	375	1-1/8	16
	CVOSS964	14	23	15-3/4	20-1/4	2-1/8	22	1-7/16	3400	455	1-1/8	20
	CVOSS966	16	25-1/2	17-5/8	22-1/2	2-1/4	25	2-1/4	4400	730	1-1/4	20
	CVOSS968	18	28	18-3/4	24-3/4	2-3/8	28	2-1/4	5600	930	1-1/4	24
	CVOSS970	20	30-1/2	20-5/8	27	2-1/2	31	2-15/16	6900	1180	1-1/4	24
	CVOSS974	24	36	24	32	2-3/4	37	3-5/8	10000	1680	1-1/2	24
	CVOSS980	30	43	29-1/4	39-1/4	3	45	5	15400	2375	1-3/4	28
	CVOSS986	36	50	45	46	3-3/8	54	8	22400	5511	2	32
	CVOSS992	42	57	50	52-3/4	3-11/16	64	9-1/4	30400	N/A	2	36

\*Cv is the number of U.S. gallons/minute of 60°F water that will flow through a valve with 1 PSI of pressure drop across the valve.

PROJECT INFO

CUSTOMER: \_\_\_\_\_

PROJECT: \_\_\_\_\_

ENGINEER: \_\_\_\_\_

REV.	DATE
2323 W. HUBBARD ST. CHICAGO, IL 60612 TEL: 312-738-3800 FAX: 312-738-0415 WWW.METRAFLEX.COM	
<h2>MODEL CVO900-250-42-SS</h2>	
12" - 42" 250# GLOBE STYLE SILENT CHECK VALVE W/ SS TRIM	
DRAWN BY: <b>DKISH</b>	DATE: <b>8/27/2013</b>
APPROVED: <b>JC</b>	DATE: <b>8/27/2013</b>
SCALE: <b>NONE</b>	DRAWING NUMBER: <b>CVO900-250-42-SS</b>