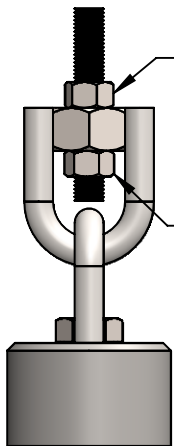
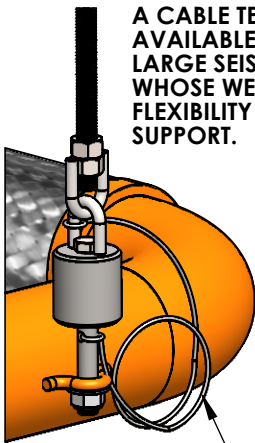


METRALOOP WITH BREAKAWAY COUPLING

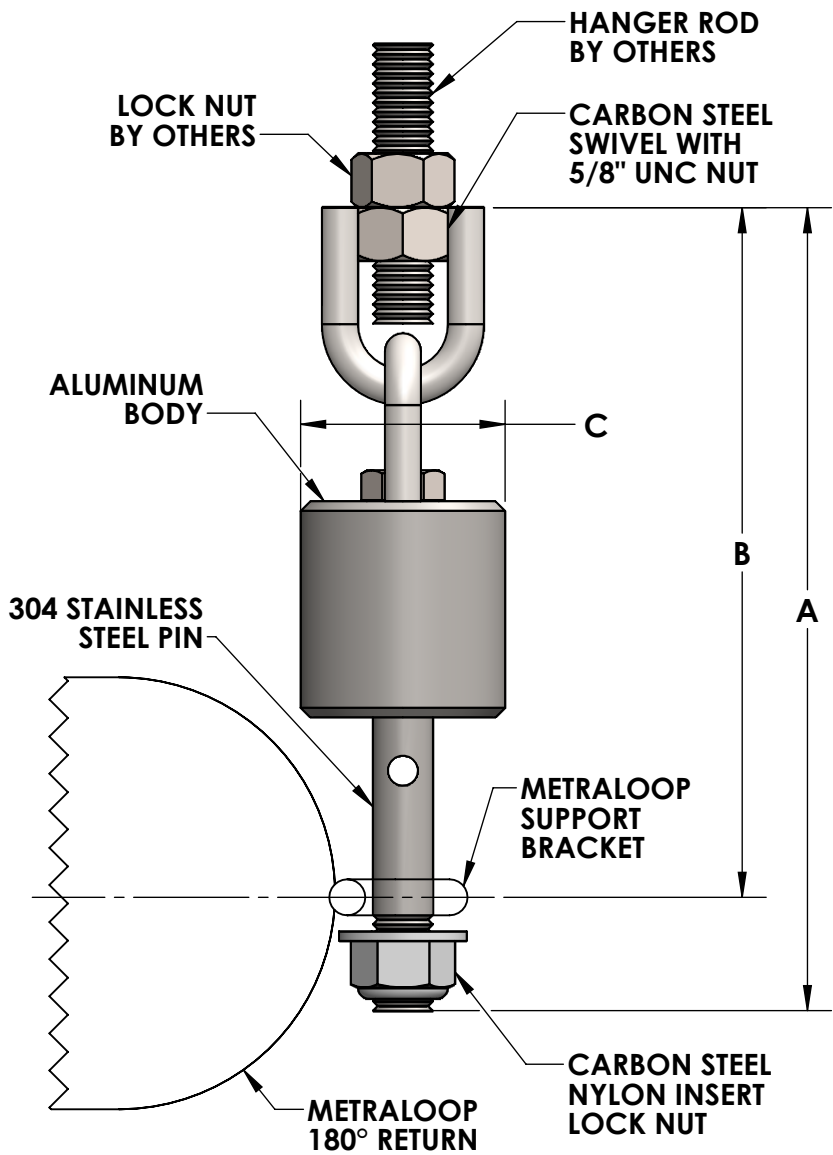


IF THE HANGER ROD IS SMALLER THAN THE NUT OF THE SWIVEL HANGER, SIMPLY SLIDE THE UNDERSIZED ROD THROUGH THE NUT AND FASTEN WITH THE APPROPRIATE SIZED NUTS.



A CABLE TETHER IS AVAILABLE FOR SUPPORTING LARGE SEISMIC LOOPS WHOSE WEIGHT OR EXTREME FLEXIBILITY MAY REQUIRE SUPPORT.

CABLE TETHER



QTY	PART #	A (in)	B (in)	C (in)	TETHER (Y/N)	NOTES
	BAC30	7.25	6.375	2.125		
	BAC45	7.25	6.375	2.125		
	BAC65	7.25	6.375	2.125		
	BAC80	7.25	6.375	2.125		
	BAC130	9.75	8.75	2.875		
	BAC200	9.75	8.75	2.875		
	BAC400	12.75	11.625	2.875		
	BAC650	12.75	11.625	2.875		
	BAC725	12.75	11.625	2.875		

2	BAC200 DIMS CHANGED	11/6/2015
REV. 1	650 AND 725 ADDED	DATE 7/1/2015

Metraflex
for pipes in motion

2323 W. HUBBARD ST.
CHICAGO, IL 60612
TEL: 312-738-3800
FAX: 312-738-0415
WWW.METRAFLEX.COM

**BREAKAWAY COUPLING
MODEL BAC**

DRAWN BY: DKISH	DATE: 2/10/2015
APPROVED:	DATE:
SCALE: N/A	DRAWING NUMBER: BACSUBMITAL

CUSTOMER: _____

PROJECT: _____

ENGINEER: _____