

Qty	Part Number	Size I.D. (in)	A ± 1/8 (in)	Pressure* (PSI)	Weight (Lbs)	Project Info
	GGC0200	2	12	450	9	
	GGC0250	2-1/2	14	345	13	
	GGC0300	3	14	289	14	
	GGC0400	4	16	300	18	
	GGC0500	5	17	220	25	
	GGC0600	6	18	200	28	
	GGC0800	8	20	190	52	
	GGC1000	10	24	150	75	
	GGC1200	12	25	125	100	

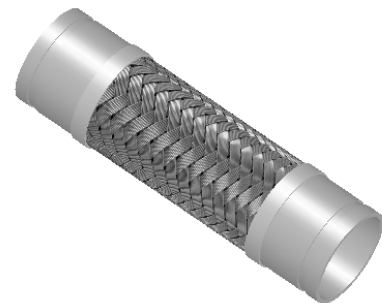
MAX INTERMITTENT OFFSET FROM CENTERLINE 1/8"
 MAX PERMANENT OFFSET FROM CENTERLINE 3/8"

LEAD FREE

The wetted surface of this product contacted by consumable water contains less than one quarter of one percent (0.25%) of lead by weight. Material complies with state codes and standards, where applicable, requiring reduced lead content.

*For safe working pressure above 70°F, multiply the pressure shown at 70°F times the correction factor of the required temperature.

Temperature (°F)	Factor
70	1.0
200	.92
300	.86
400	.82
500	.77
600	.73



CUSTOMER: _____

PROJECT: _____

ENGINEER: _____

REV.	DATE
2323 W. HUBBARD ST. CHICAGO, IL 60612 TEL: 312-738-3800 FAX: 312-738-0415 WWW.METRAFLEX.COM	
MODEL GG STAINLESS STEEL PUMP CONNECTOR	
DRAWN BY: DKISH	DATE: 1/10/2014
APPROVED: JC	DATE: 1/10/2014
SCALE: NONE	DRAWING NUMBER: GGC