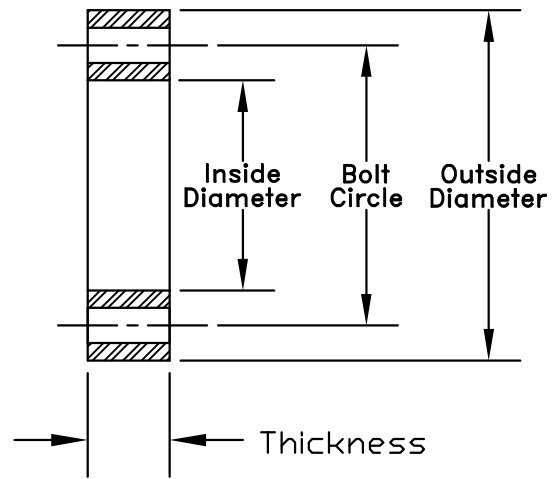
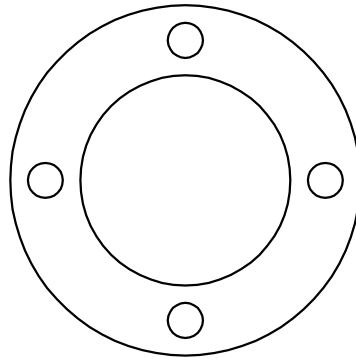


150# Plate Steel  
Slip-On Flange



Notes:

1. Material - ASTM A36.
2. All surfaces to be machined (ID, OD, and both flange faces) and coated with a rust prohibitive.
3. Unless otherwise specified, the manufacturer may supply either spiral or concentric grooves for serrations on both flange faces. The spiral machining operation is commonly accomplished with the cutting tool having 0.06 in (1.6 mm) or larger tip radius. Finish on flange faces is to conform to MSS SP-6 Standard.

SIZE	THICK.	I.D.	O.D.	B.C.	BOLT HOLES		WEIGHT
					NO.	DIA.	LBS.
1	5/8	1.36	4-1/4	3-1/8	4	5/8	2.1
1-1/4	5/8	1.70	4-5/8	3-1/2	4	5/8	2.4
1-1/2	5/8	1.95	5	3-7/8	4	5/8	2.8
2	5/8	2.44	6	4-3/4	4	3/4	4.0
2-1/2	5/8	2.94	7	5-1/2	4	3/4	5.3
3	5/8	3.57	7-1/2	6	4	3/4	6.1
4	5/8	4.57	9	7-1/2	8	3/4	8.0
5	3/4	5.66	10	8-1/2	8	7/8	10.5
6	3/4	6.72	11	9-1/2	8	7/8	11.5
8	1	8.72	13-1/2	11-3/4	8	7/8	22.4
10	1	10.88	16	14-1/4	12	1	26.6
12	1	12.88	19	17	12	1	41.0
14	1	14.14	21	18-3/4	12	1-1/8	48.0
16	1	16.16	23-1/2	21-1/4	16	1-1/8	61.3
18	1-1/16	18.18	25	22-3/4	16	1-1/4	63.3

ALL DIMENSIONS ARE IN INCHES

CUSTOMER \_\_\_\_\_

PROJECT \_\_\_\_\_

ENGINEER \_\_\_\_\_

ARCHITECT \_\_\_\_\_

INQ. OR P.O. NO. \_\_\_\_\_



2323 W. HUBBARD ST.  
CHICAGO, IL 60612  
TEL: 312-738-3800  
FAX: 312-738-0415  
WWW.METRAFLEX.COM

DESCRIPTION:

150# Plate Steel Slip-On Flange

DRAWN BY: SR

DATE: 08/18/06

APPROVED BY:

DATE:

BREAK SHARP CORNERS AND REMOVE BURRS

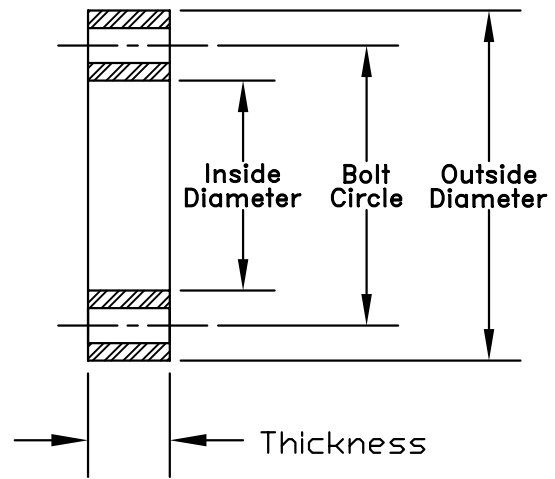
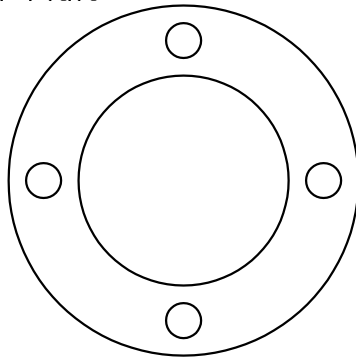
SCALE:  
NONE

TOLERANCE UNLESS  
SPECIFIED

DRAWING NUMBER:  
150-FLG(A)

REV.  
01

316 Stainless Steel Plate  
Slip-On Flange  
150# Drilling



Notes:

1. All surfaces to be machined (ID, OD, and both flange faces) and coated with a rust prohibitive.
2. Unless otherwise specified, the manufacturer may supply either spiral or concentric grooves for serrations on both flange faces. The spiral machining operation is commonly accomplished with the cutting tool having 0.06 in (1.6 mm) or larger tip radius. Finish on flange faces is to conform to MSS SP-6 Standard.

SIZE	THICK.	I.D.	O.D.	B.C.	BOLT HOLES		WEIGHT
					NO.	DIA.	LBS.
1	1/2	1.36	4-1/4	3-1/8	4	5/8	1.7
1-1/4	1/2	1.70	4-5/8	3-1/2	4	5/8	2.0
1-1/2	1/2	1.95	5	3-7/8	4	5/8	2.3
2	1/2	2.44	6	4-3/4	4	3/4	3.2
2-1/2	1/2	2.94	7	5-1/2	4	3/4	4.4
3	1/2	3.57	7-1/2	6	4	3/4	4.9
4	1/2	4.57	9	7-1/2	8	3/4	6.6
5	1/2	5.66	10	8-1/2	8	7/8	7.3
6	1/2	6.72	11	9-1/2	8	7/8	8.2
8	3/4	8.72	13-1/2	11-3/4	8	7/8	17.5
10	3/4	10.88	16	14-1/4	12	1	21.9
12	3/4	12.88	19	17	12	1	32.1

ALL DIMENSIONS ARE IN INCHES

CUSTOMER \_\_\_\_\_

PROJECT \_\_\_\_\_

ENGINEER \_\_\_\_\_

ARCHITECT \_\_\_\_\_

INQ. OR P.O. NO. \_\_\_\_\_



2323 W. HUBBARD ST.  
CHICAGO, IL 60612  
TEL:312-738-3800  
FAX:312-738-0415  
WWW.METRAFLEX.COM

DESCRIPTION: 316 Stainless Steel Plate  
Slip-On Flange 150# Drilling

DRAWN BY: SR

DATE: 08/18/06

APPROVED BY:

DATE:

BREAK SHARP CORNERS AND REMOVE BURRS

SCALE:  
NONE

TOLERANCE UNLESS  
SPECIFIED

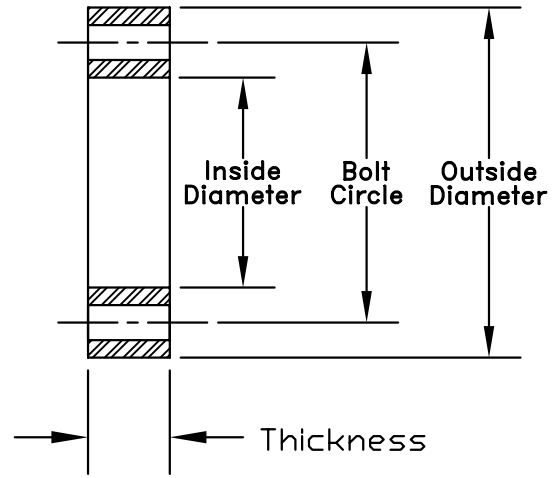
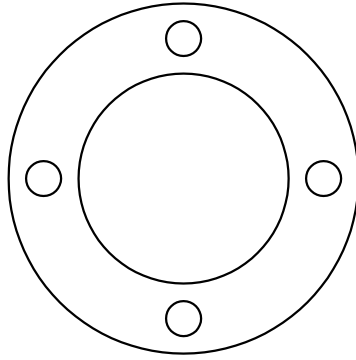
DRAWING NUMBER:

150-FLG-SS-316

REV.

01

304 Stainless Steel Plate  
 Slip-On Flange  
 150# Drilling



Notes:

1. All surfaces to be machined (ID, OD, and both flange faces) and coated with a rust prohibitive.
2. Unless otherwise specified, the manufacturer may supply either spiral or concentric grooves for serrations on both flange faces. The spiral machining operation is commonly accomplished with the cutting tool having 0.06 in (1.6 mm) or larger tip radius. Finish on flange faces is to conform to MSS SP-6 Standard.

SIZE	THICK.	I.D.	O.D.	B.C.	BOLT HOLES		WEIGHT
					NO.	DIA.	LBS.
1	1/2	1.36	4-1/4	3-1/8	4	5/8	1.7
1-1/4	1/2	1.70	4-5/8	3-1/2	4	5/8	2.0
1-1/2	1/2	1.95	5	3-7/8	4	5/8	2.3
2	1/2	2.44	6	4-3/4	4	3/4	3.2
2-1/2	1/2	2.94	7	5-1/2	4	3/4	4.4
3	1/2	3.57	7-1/2	6	4	3/4	4.9
4	1/2	4.57	9	7-1/2	8	3/4	6.6
5	1/2	5.66	10	8-1/2	8	7/8	7.3
6	1/2	6.72	11	9-1/2	8	7/8	8.2
8	3/4	8.72	13-1/2	11-3/4	8	7/8	17.5
10	3/4	10.88	16	14-1/4	12	1	21.9
12	3/4	12.88	19	17	12	1	32.1

ALL DIMENSIONS ARE IN INCHES

CUSTOMER \_\_\_\_\_

PROJECT \_\_\_\_\_

ENGINEER \_\_\_\_\_

ARCHITECT \_\_\_\_\_

INQ. OR P.O. NO. \_\_\_\_\_



2323 W. HUBBARD ST.  
 CHICAGO, IL 60612  
 TEL:312-738-3800  
 FAX:312-738-0415  
 WWW.METRAFLEX.COM

DESCRIPTION: 304 Stainless Steel Plate  
 Slip-On Flange 150# Drilling

DRAWN BY: SR

DATE: 08/18/06

APPROVED BY:

DATE:

BREAK SHARP CORNERS AND REMOVE BURRS

SCALE:  
 NONE

TOLERANCE UNLESS  
 SPECIFIED

DRAWING NUMBER:

150-FLG-SS

REV.

01