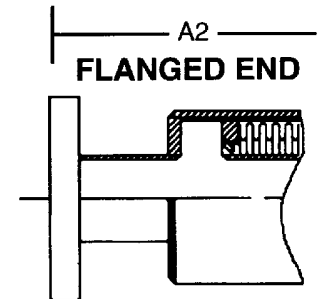
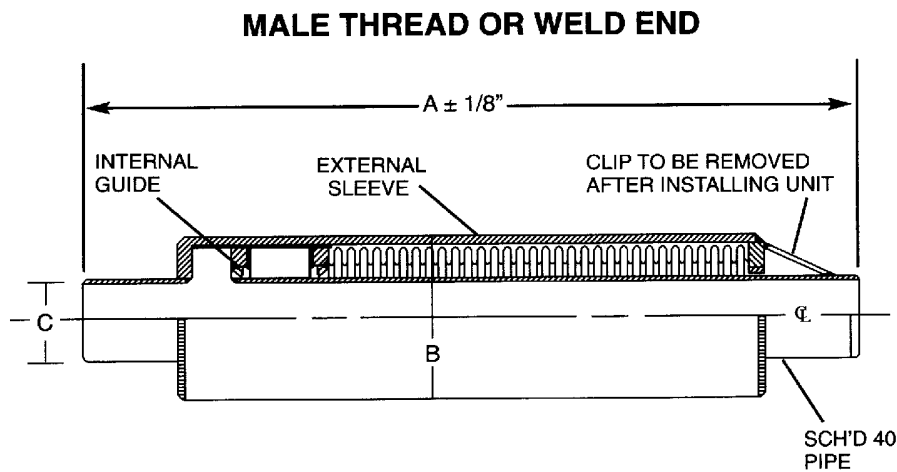


**MODEL HPQ3
EXPANSION
COMPENSATOR
HIGH PRESSURE**



Available with 150# drilled flat face plate steel flanges.

This expansion joint is specifically designed for building riser systems, and is designed to be used in conjunction with the Metraflex floor and ceiling guiding system. When used with standard guides, EJMA spacing requirements apply.

QTY.	PIPE SIZE		THREAD OR WELD END A	FLANGED A2	B	C	NOTES
	INCH	MM					
	3/4"	20	22"	22-5/8"	2-3/8"	1.05"	
	1	25	22	22-5/8	2-1/2	1.31	
	1-1/4	32	22	22-5/8	3	1.66	
	1-1/2	38	23	23-5/8	3-1/2	1.90	
	2	50	23	23-5/8	4	2.37	
	2-1/2	65	24-1/2	25-1/8	5	2.87	
	3	80	25-3/8	26	5-1/2	2.87	
	4	100	25-3/8	26	6-5/8	4.50	

DESIGN DATA:

TEMP. 750° F. (399°C)
 PRESS. 175 PSI, (1206 K Pa(g))
 TEST PRESS. 250 PSI, (1809 K Pa(g))
 AXIAL MOVEMENT 1/2" EXPANSION, (13mm)
 3" COMPRESSION, (80 mm)

MATERIAL:

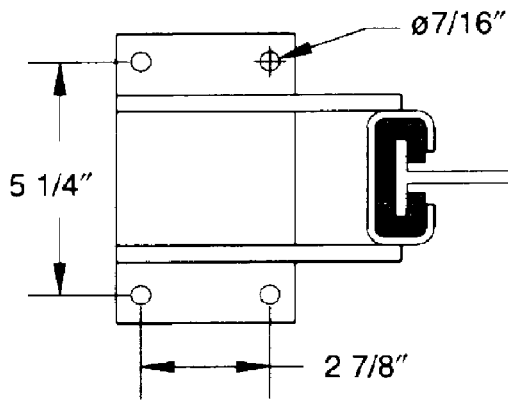
BELLOWS-MULTI-PLY S.S. T321
 OTHER PARTS-CARBON STEEL

CUSTOMER _____
 PROJECT _____
 ENGINEER _____
 ARCHITECT _____
 PRO. OR P.O. NO _____

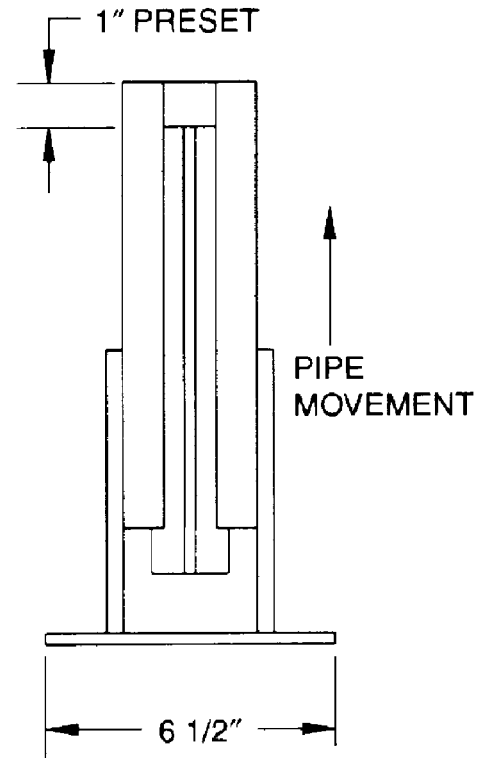
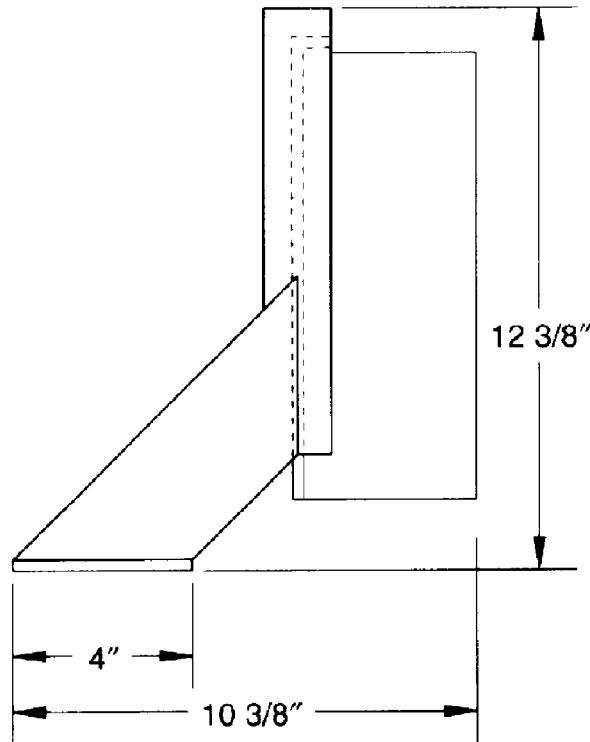
the Metraflex® company
 CHICAGO ILLINOIS

DESCRIPTION:
HI RISE COMPENSATOR
 HIGH PRESSURE, LATERALLY STABILIZED
 EXPANSION COMPENSATOR

DRAWN BY: J.O. DATE: 5-99 DRAWING NO: HPQ3



GUIDE "T"
FIELD WELD PIPE;
ALSO AVAILABLE WITH
PIPE CLAMPS FOR COPPER)



Floor and ceiling guiding system

A special "quiet-slide" insert in the sliding "T" guide channel provides virtually silent operation and isolates pipe noise from building.

Guides are to be used in conjunction with riser expansion compensator. Guides are bolted to ceiling and floor. Sliding "T" guide is inserted into "quite-slide" lining in channel and welded to pipe.

Maximum Temperature Rating: 250°F

CUSTOMER _____

PROJECT _____

ENGINEER _____

ARCHITECT _____

PRO OR P.O. NO. _____

the Metraflex company
CHICAGO ILLINOIS

DESCRIPTION:
Floor and ceiling guiding system

DRAWN BY : JO	DATE: 10/99	DRAWING NO.: PGQ
------------------	----------------	---------------------