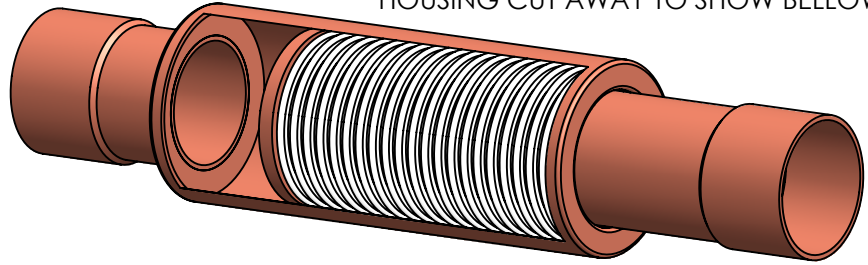


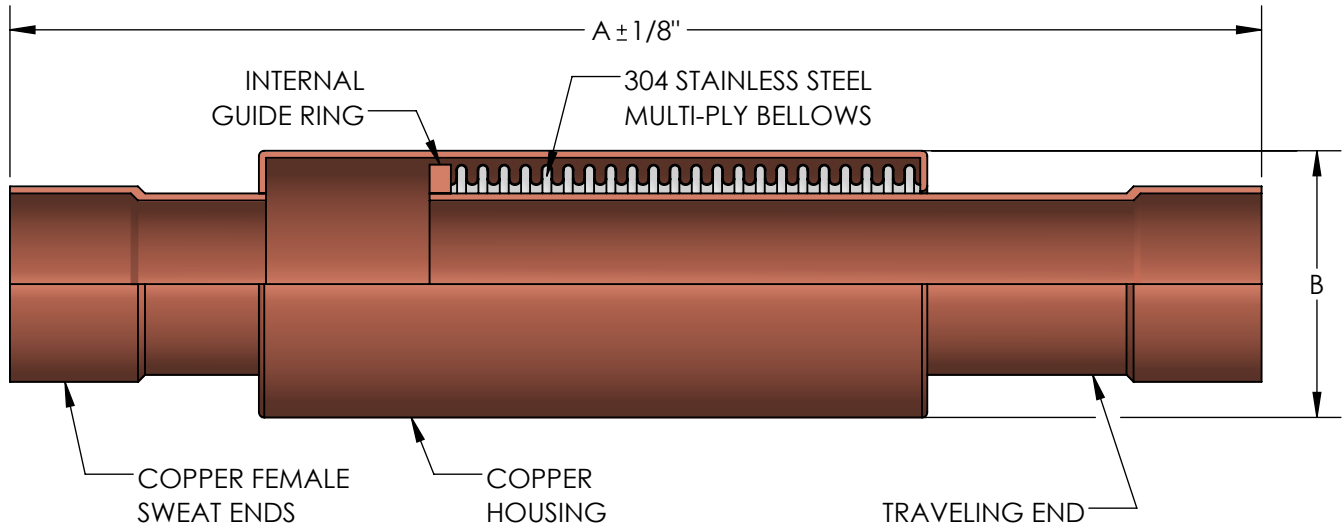
**MODEL HPFF2
HIGH PRESSURE
EXTERNALLY PRESSURIZED
EXPANSION COMPENSATOR**

HOUSING CUT AWAY TO SHOW BELLOWS



DESIGN DATA

TEMPERATURE: 400° (204°C)
 PRESSURE: 150 PSI (1034 kPa)
 TEST PRESSURE: 225 PSI (1551 kPa)
 AXIAL COMPRESSION: 2" (50mm)
 AXIAL EXTENSION: 1/2" (13mm)



THIS EXPANSION JOINT IS DESIGNED FOR AXIAL MOVEMENT ONLY. PIPE MUST BE PROPERLY GUIDED AND ANCHORED PER THE RECOMMENDATIONS OF THE EXPANSION JOINT MANUFACTURERS ASSOCIATION.

QTY	PART NUMBER	TUBE SIZE		A	B	EFFECTIVE AREA (in ²)	SPRING RATE (lb/in)	WEIGHT	PROJECT INFORMATION
		INCH	MM						
	HPFF20075	3/4"	20	11"	1-5/8"	1.1	82	3/4	
	HPFF20100	1"	25	11-1/4"	2"	1.7	89	1	
	HPFF20125	1-1/4"	32	12-1/2"	2-1/4"	2.4	75	1-1/2	
	HPFF20150	1-1/2"	38	12-7/8"	2-1/2"	3.2	74	2	
	HPFF20200	2"	50	13"	3"	5.1	168	3	
	HPFF20250	2-1/2"	65	13-1/4"	4"	7.6	188	4	
	HPFF20300	3"	80	14"	4-1/2"	10.6	251	4-1/2	
	HPFF20400	4"	100	15-1/16"	5-7/8"	17.9	341	9	

CAUTION: SILVER BRAZING USED IN CONSTRUCTION. DO NOT EXCEED 1000°F DURING INSTALLATION.

NSF 372 - LEAD FREE

The wetted surface of this product contacted by consumable water contains less than one quarter of one percent (0.25%) of lead by weight. Material complies with state codes and standards, where applicable, requiring reduced lead content.

CUSTOMER: _____

PROJECT: _____

ENGINEER: _____

REV.	DATE
2323 W. HUBBARD ST. CHICAGO, IL 60612 TEL: 312-738-3800 FAX: 312-738-0415 WWW.METRAFLEX.COM	
MODEL HPFF2 HIGH PRESSURE EXPANSION COMPENSATOR	
DRAWN BY: DKISH	DATE: 9/3/2015
APPROVED: JC	DATE: 9/3/2015
SCALE: N/A	DRAWING NUMBER: HPFF2